

Section of Monoblock Hip Prostheses cemented

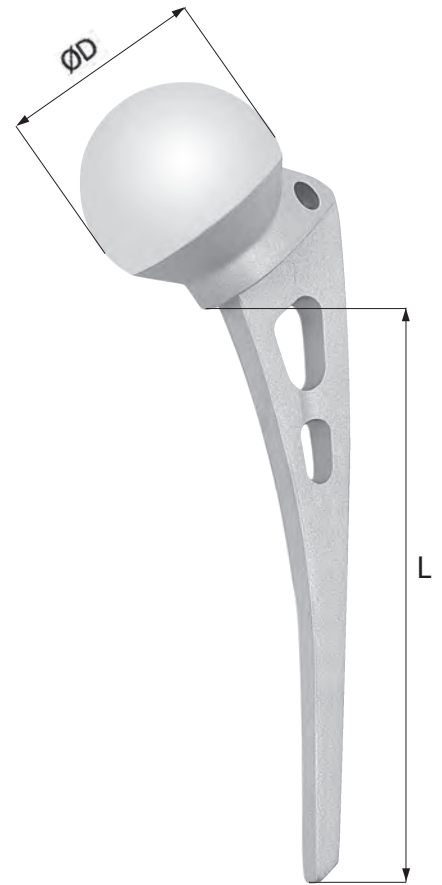
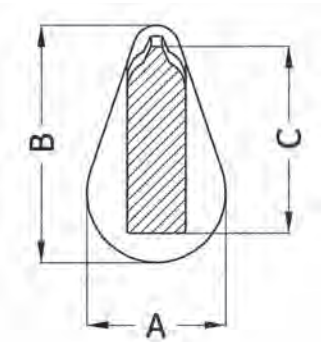
Standard Moore Hip Prosthesis

Hüftprothese nach Moore

Prothèse de Moore

Indication: The Standard Moore hip prosthesis is designed to use for degenerated femoral head replacement. The designed of this appliance approximates the anatomical shape of femur. The fenestrated stem permits packing of bone grafts and bony ingrowth for improved fixation. The availability of head sizes in fractional and millimeter increments offers, the surgeon a wide selection for a more accurate fit to the acetabulum. The stem shape as well as the fin along, the outer side helps to prevent rotation of the prosthesis. The loop at the top of stem is provided for extracting the stem. The prosthesis feature has a 135° degree stem/neck angle for an anatomic reconstruction.

Material: Certified Stainless Steel according to ASTM F.138 ISO 5832/1. Available in titanium according to ASTM F.136 ISO 5832/3 and Co.Cr-alloy according to ASTM F.75 ISO 5832/4



Ref. No Stainless Steel	Ref. No Titanium	Ref. No Co.Cr-alloy	Head Sizes	Stem	A mm	B mm	C mm
			Diameter D mm	Length L mm			
ROT-685-038	ROT-686-038	ROT-687-038	38 mm	130	25.50	44.5	38
ROT-685-039	ROT-686-039	ROT-687-039	39 mm	130	25.50	44.5	38
ROT-685-040	ROT-686-040	ROT-687-040	40 mm	130	25.50	44.5	38
ROT-685-041	ROT-686-041	ROT-687-041	41 mm	130	25.50	44.5	38
ROT-685-042	ROT-686-042	ROT-687-042	42 mm	130	25.50	44.5	38
ROT-685-043	ROT-686-043	ROT-687-043	43 mm	130	25.50	44.5	38
ROT-685-044	ROT-686-044	ROT-687-044	44 mm	130	25.50	44.5	38
ROT-685-045	ROT-686-045	ROT-687-045	45 mm	130	25.50	44.5	38
ROT-685-046	ROT-686-046	ROT-687-046	46 mm	130	25.50	44.5	38
ROT-685-047	ROT-686-047	ROT-687-047	47 mm	150	27	45.5	38
ROT-685-048	ROT-686-048	ROT-687-048	48 mm	150	27	45.5	38
ROT-685-049	ROT-686-049	ROT-687-049	49 mm	150	27	45.5	38
ROT-685-050	ROT-686-050	ROT-687-050	50 mm	150	27	45.5	38
ROT-685-051	ROT-686-051	ROT-687-051	51 mm	150	27	45.5	38
ROT-685-052	ROT-686-052	ROT-687-052	52 mm	150	27	45.5	38
ROT-685-053	ROT-686-053	ROT-687-053	53 mm	150	27	45.5	38
ROT-685-054	ROT-686-054	ROT-687-054	54 mm	150	27	45.5	38
ROT-685-055	ROT-686-055	ROT-687-055	55 mm	150	27	45.5	38
ROT-685-056	ROT-686-056	ROT-687-056	56 mm	150	27	45.5	38
ROT-685-057	ROT-686-057	ROT-687-057	57 mm	150	27	45.5	38
ROT-685-058	ROT-686-058	ROT-687-058	58 mm	150	27	45.5	38